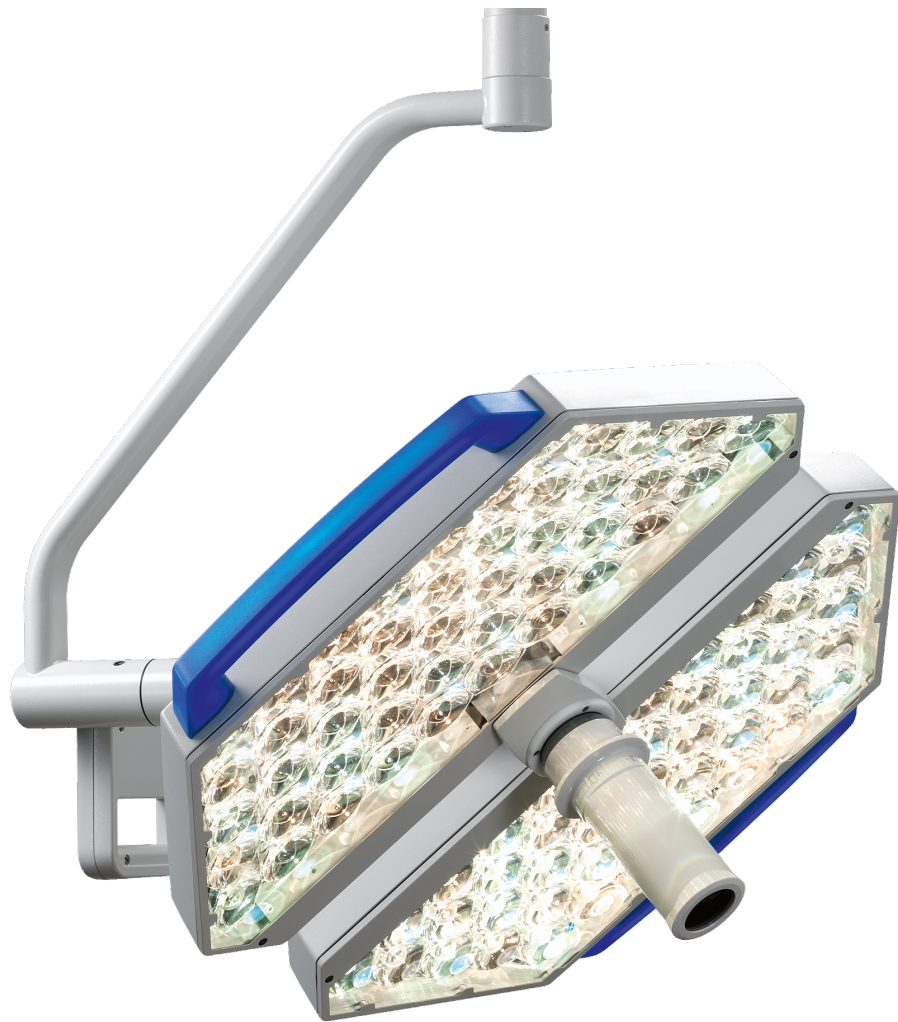




Hillrom™

TL5000 Surgical Light Series Data Sheet





Hillrom™

TL5000 Surgical Light Series Data Sheet

TL5000 / 3000 Surgical Light products' technical features described in this data sheet are focusing on the surgical lighting parameters. Those are defined by the different light head variants. Therefore, the technical specs are shown for the different light head variants (e.g. TL3500, TL3300 etc).

FEATURES

Light Head Variants	TL5500	TL5510	TL5520	TL5300	TL5310	TL5320
Adaptive Light Control (ALC)	x	x	x	x	x	x
Adaptive Light Control Plus (ALC Plus)	-	x ¹	x	-	x ¹	x
Sterile Light Control (SLC)	-	-	x	-	-	x

LIGHTING DATA

Light Head Variants	TL5500	TL5510	TL5520	TL5300	TL5310	TL5320
Illumination Level at 1.0 m (Lux)	160,000			140,000		
Illumination Level at 1.2 m (Lux)	Max. 100,000	Max. 160,000 ¹	Max. 160,000	Max. 90,000	Max. 140,000 ¹	Max. 140,000
Is there a visual influence on illumination level when adjusting pattern size?	-					
At 1.0m Distance	-					
At 1.2m Distance	-	- ¹	-	-	- ¹	-
Dimmable from / to	100 - 40%; < 10% endo					
Pattern Size Variable through Distance Variation between 0.8m and 1.2m Distance (cm)	16 - 30			16 - 30		

*1. With camera module installed.
Subject to changes.*



TL5000 Surgical Light Series Data Sheet

LIGHTING DATA

Light Head Variants	TL55x0				TL53x0			
	Narrow Pattern Size		Wide Pattern Size (Feature)		Narrow Pattern Size		Wide Pattern Size (Feature)	
Pattern Size (d10) at 1.0 m (cm)	16		23		16		23	
Illumination Level at 1.0 m (Lux)	160,000		160,000		140,000		140,000	
d50 / d10 ratio	~ 0.56		~ 0.48		~ 0.60		~ 0.52	
d50 (cm)	9		11		9.6		12	
Single Color Temperature (K) ²	Standard: 3,500; 4,000; 4,500 or 5,000							
Color Temperature adjustable at the Control Panel	Optional: 3,500; 4,000; 4,500 and 5,000							
Upgrade of adjustable Color Temperature without exchanging Light Head	yes							
Color Rendering Index Ra	max. 96				max. 96			
Color Rendering Index R9 (Blood)	max. 97				max. 97			
Color Rendering Index R13 (Tissue)	max. 98				max. 98			
Irradiance (W/m ²) ³	676				620			
Irradiance / Intensity Ratio (mW/m ² lx)	3.59		3.62		3.66		3.66	
Remaining Illumination with 1 Mask (Lux)	59%	94,400	76%	121,600	29%	40,600	58%	81,200
Remaining Illumination with 2 Masks (Lux)	43%	68,800	49%	78,400	41%	57,400	43%	60,200
Remaining Illumination with Tube (Lux)	98%	156,800	94%	150,400	100%	140,000	100%	140,000
Remaining Illumination with Tube and 1 Mask (Lux)	58%	92,800	70%	112,000	29%	40,600	58%	81,200
Remaining Illumination with Tube and 2 Masks (Lux)	43%	68,800	45%	72,000	41%	57,400	43%	60,200

2. Can be chosen during initial installation.

3. At a distance of 0.9 m.

Subject to changes.



TL5000 Surgical Light Series Data Sheet

DEPTH OF ILLUMINATION

Light Head Variants	TL55x0		TL53x0	
	Narrow Pattern Size	Wide Pattern Size (Feature)	Narrow Pattern Size	Wide Pattern Size (Feature)
EN ISO 60601-2-41 2 nd Edition: Depth of Illumination (L1 + L2) at 20% Ec / 2 nd Edition (cm)	95	94	94	96
EN ISO 60601-2-41 3 rd Edition: Depth of Illumination (L1 + L2) at 60% Ec / 3 rd Edition (cm)	60	60	51	51
Average Service Life of the LEDs (h)	> 60,000			

REGISTRATION DATA

Light Head Variants	TL5500	TL5510	TL5520	TL5300	TL5310	TL5320
Classification (MDD)	1					
Classification (MDR)	1					
Classification (FDA)	2					
Turbulence Degree (%)	35			36		
Mark of Conformity	CE, UL					

ELECTRICAL DATA

Light Head Variants	TL5500	TL5510	TL5520	TL5300	TL5310	TL5320
Power Pack Supply Voltage	100 - 240 V AC 50/60 Hz					
Power Pack Supply Voltage DC-DC Box	22 - 32 V DC 22 - 26.4 V AC					
Light Head Power Consumption (VA) ⁴	65					
Maximum Power Consumption (Total System) (VA)	120	160	160	110	140	140
Voltage at Ceiling Mounting Point (V)	48					

4. For illumination of 160,000 lux at a distance of 1.0 m.
Subject to changes.



Hillrom™

TL5000 Surgical Light Series Data Sheet

MECHANICAL DATA

Light Head Variants	TL5500	TL5510	TL5520	TL5300	TL5310	TL5320
Light-emitting Surface (cm ²)	1,892			1,332		
Laminar Flow Surface (cm ²)	3,100			2,100		
Diameter of Ceiling Plate (square) (mm)	340					
Light Head Size (with Handles) (mm)	730			640		
Light Head Size (without Handles) (mm)	675			580		
Weight of Light Head (incl. cardanic) (kg)	16.1	17.2	16.4	12.9	13.9	13.2

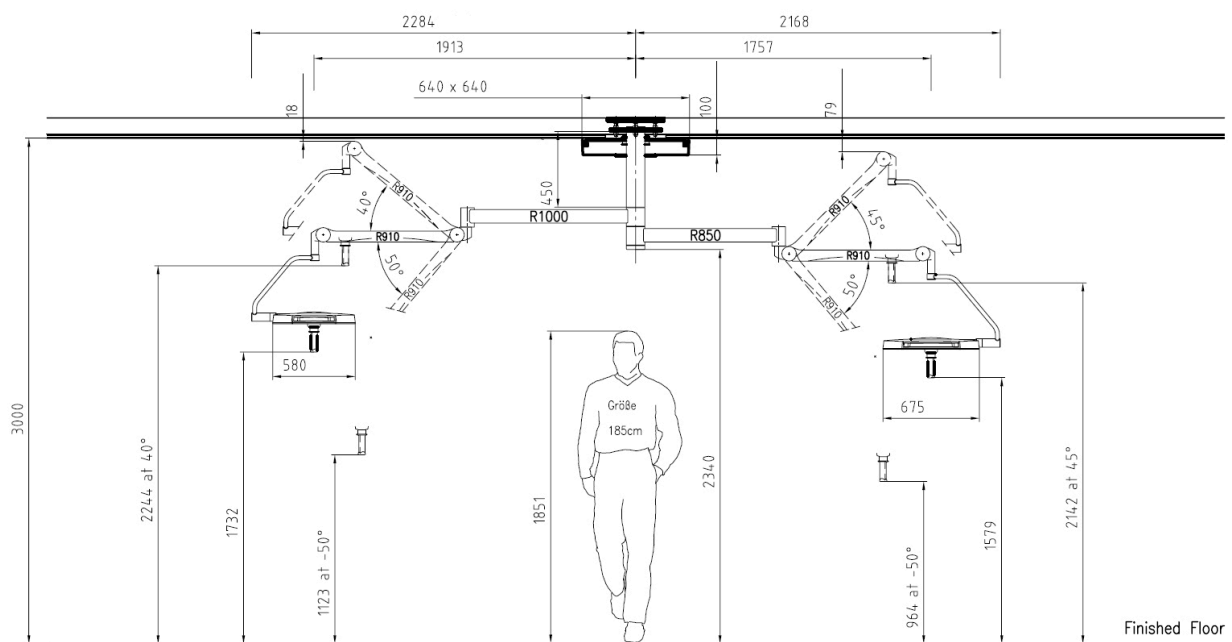
Subject to changes.



Hillrom™

TL5000 Surgical Light Series Data Sheet

TL5000 / TL3000 Ceiling Duo (STANDARD ROOM HEIGHT) with TL55x0 / TL53x0 Light Head Variants



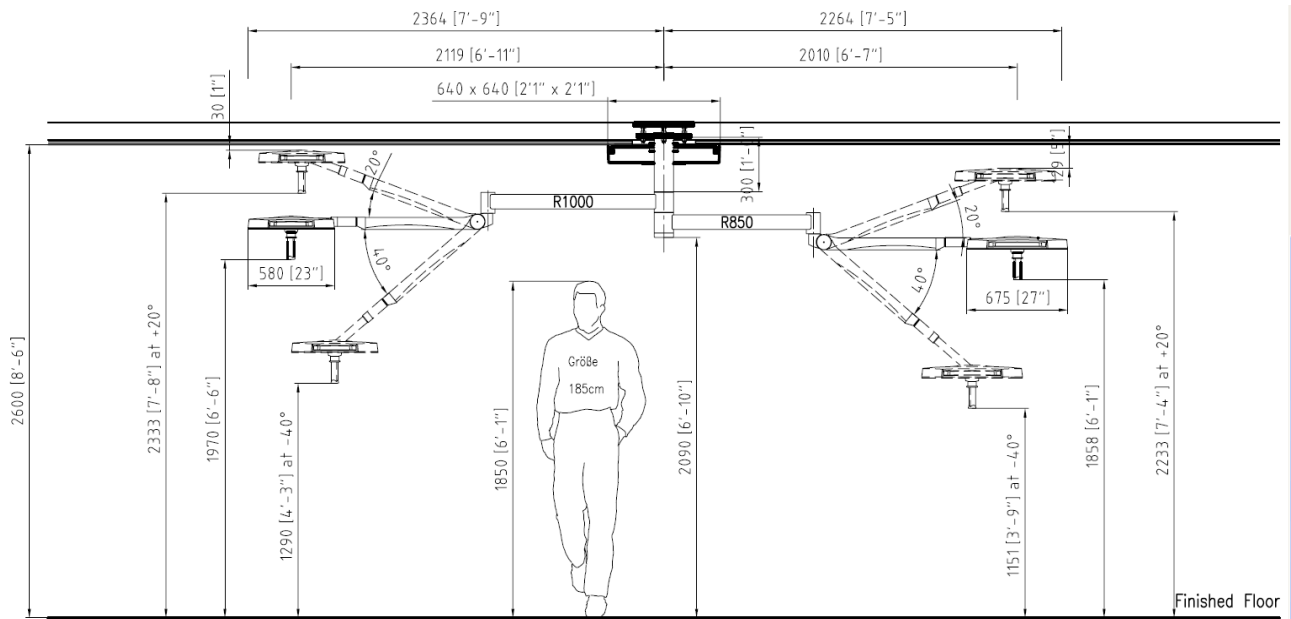
Values are in mm.
Subject to changes.



Hillrom™

TL5000 Surgical Light Series Data Sheet

TL5000 / TL3000 Ceiling Duo (LOW CEILING HEIGHT) with TL55x0 / TL53x0 Light Head Variants



Values are in mm.
Subject to changes.

The best surgical care begins with a strong foundation of safety and support.
To learn more call Hillrom Customer Care on 1800 445 576 or visit hillrom.com.au

Always read the labels and instructions for use. Contact your Hillrom Representative for the latest version.

AUTHORISED AUSTRALIAN SPONSOR Trumpf Med (Aust) Pty Ltd. Suite 4.01, 2-4 Lyonpark Road, Macquarie Park NSW Australia 2113

© 2021 Hill-Rom Services, Inc. ALL RIGHTS RESERVED. APR246105_AU-r1 06/2021

hillrom.com.au