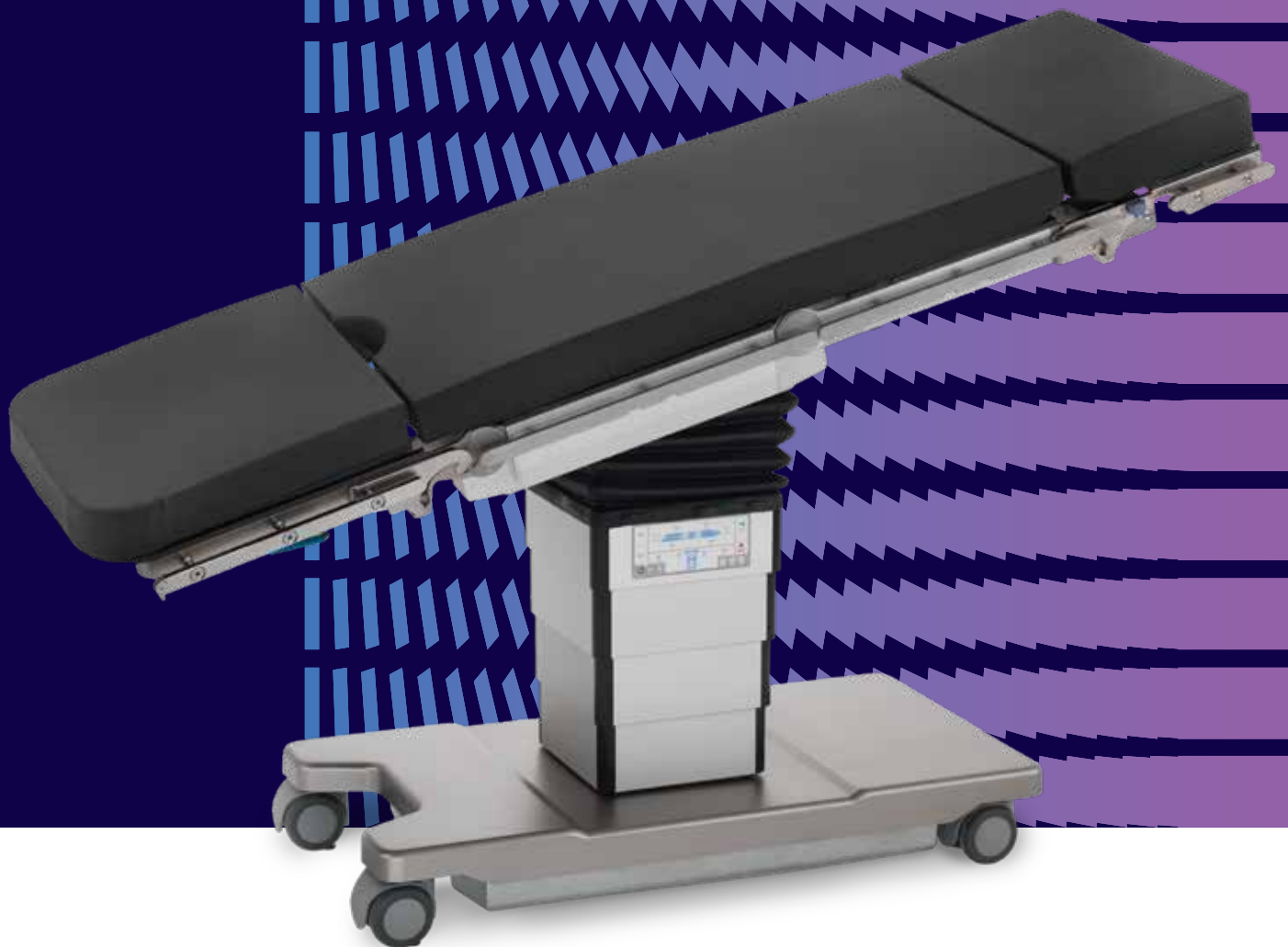




Hillrom™



PST 500
Precision Surgical Table

Hillrom is a part of Baxter

Baxter

IN THE OPERATING ROOM (OR), THE SURGICAL TABLE IS THE FOUNDATION OF CARE.

It's where surgeons start patients on the path to recovery. It's where nurses, technicians and specialists come together to keep operations running smoothly. It's where patients are supported and positioned during this critical life moment.

At the center of all this activity, the stakes are high. And your standards should be, too.

MEET THE PST 500 PRECISION SURGICAL TABLE FROM HILLROM.

This versatile, easy-to-use table sustains the volume and variety of procedures you face every day—helping you support your patients and streamline your workflow.

Because the right surgical table isn't just a table—it's the foundation on which care happens. And with a strong foundation, anything is possible.





VERSATILE

One table supports a wide range of positions across various surgical applications —helping you stretch your investment and expand your procedural capabilities.



SAFE

With a 454 kg (1,000 lbs) weight capacity, collision protection, self-leveling floor locking system and more, the PST 500 is designed with the safety of the patient and user in mind.*



EFFICIENT

Modular design, ergonomic handling, 360° imaging, and light messaging system help you streamline your workflow and see more patients, faster.**



INTUITIVE

The table is quick to set up and easy to use with lightweight components, a self-aligning hook coupler system, and an intuitive remote control.

*Weight capacity may vary with table configuration.
Refer to the IFU for additional information.

**360° imaging capability with specific carbon components.



GENERAL SURGERY

**ONE STRONG FOUNDATION.
MULTIPLE POSITIONS.**

The PST 500 is flexible to support the various surgical procedures you perform every day. Simply configure the table and accessories to provide the ideal platform for each procedure.



BARIATRIC

Split leg for laparoscopic gastric banding procedure



CARDIOVASCULAR

Supine position for cardiovascular procedures, including C-arm access



THYROID

Supine position for thyroid surgery



KIDNEY

Lateral position for nephrectomy or thoracic surgery



RECTAL

Frontal posture kneeling position for rectal or lower spine surgery

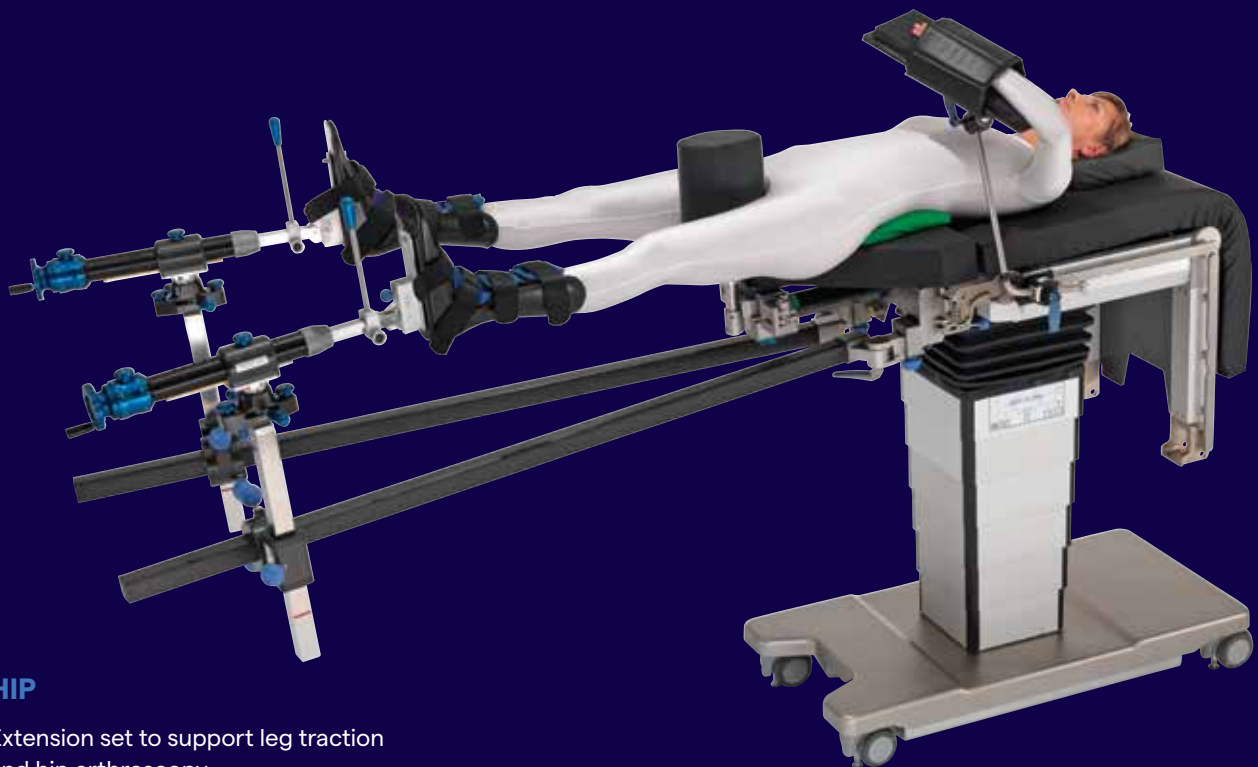


GYNECOLOGY/UROLOGY

Lithotomy position for gynaecological or urology surgery

ORTHOPAEDICS

With the PST 500, the table you use for general surgeries can also support numerous orthopaedic procedures.



HIP

Extension set to support leg traction and hip arthroscopy



SHOULDER

Beach chair position for arthroscopy and open shoulder surgical cases



HAND

Hand extension attachment for upper extremity fixation and support



FEMUR AND HIP

Minimally invasive (MIS) hip arthroplasty



KNEE

Free access for arthroscopy

SPINE AND NEUROSURGERY

No need for specialised, single-function tables. The PST 500 easily accommodates spine and neuro procedures with its flexible configurations and accessories.



SPINE

Spine surgery with high C-arm access

360°

Imaging Made Simple*

The table's radiolucent tabletop and carbon fiber equipment make 360° imaging simple—plus, you can position a C-arm where you need it with convenient longitudinal sliding range.



*360° imaging capability with specific carbon components.



NEUROSURGERY

Neurosurgery in sitting position to support posterior cranial surgeries



360° NEUROSURGERY

Flexible head positioning with 3-joint adaptor for 3D neurosurgery

INTUITIVE BY DESIGN

We designed the PST 500 to be easy to use, so your surgical team can focus on what counts—the patient in front of them.

Quick Setup

The table's lightweight components and self-aligning hook-coupling point system make setup and modifications quick and easy.

Smooth Surfaces

Sleek surfaces help to facilitate cleaning.

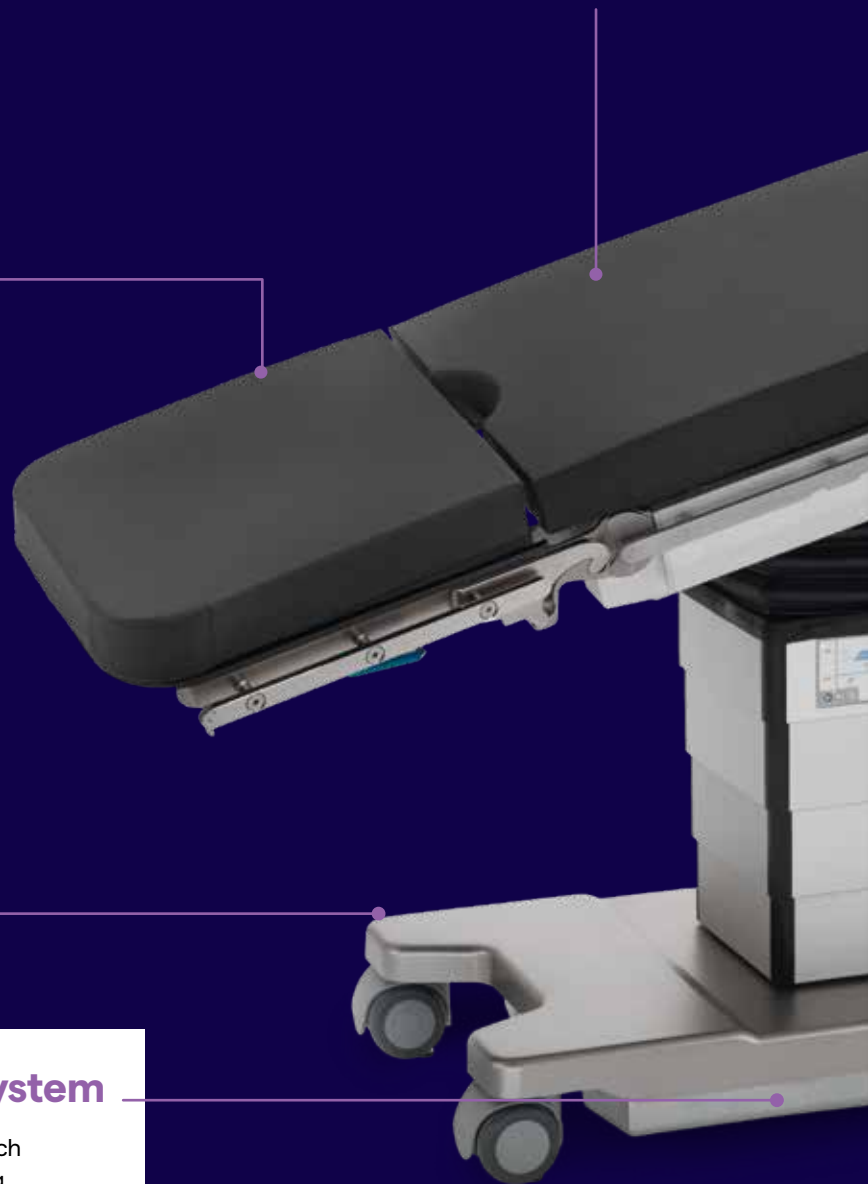
Innovative Light Messaging System

Colour-coded LED lights communicate table status such as brake setting, battery level and error state, reducing alarm fatigue in your clinical staff.



Versatile Tabletop

With its wide articulation ranges, the correct position is always within reach.



*360° imaging capability with specific carbon components.

**Weight capacity may vary based on table configuration. Refer to the IFU for additional information.

Imaging Support

With nearly 40 cm of tabletop slide, C-arm access is simple—and carbon fiber components enable 360° imaging.*

Collision Protection

Avoid collisions—and the risks that come with them.

Intuitive Design

All operating elements are colour-coded for quick access and ease of use.

High Patient Weight Capacity

Supporting up to 454 kg, the table can accommodate a variety of patients.**

Easy to Move

Dual castors and standard 5th wheel help you move the table where you need it.

Intuitive Wired or Wireless Remote Control

The backlit remote control—available in wired or wireless models—is easy to use in low-light environments. Its icons, colors and symbols match those on the control column for simplicity and efficiency.



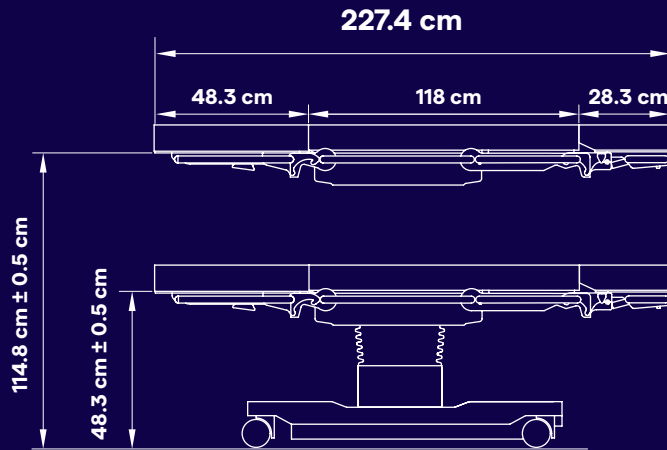
TECHNICAL SPECIFICATIONS

The PST 500 builds upon Hillrom's strong surgical legacy of high-quality engineering —at a price that won't break your budget. It is designed to handle real-world surgical environments—including yours.

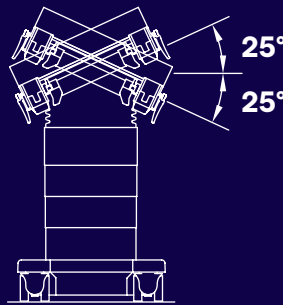
PST 500 Precision Surgical Table	
Length	227.4 cm
Net table weight	250 kg
Height adjustment	59.8 cm - 114.8 cm \pm 0.5 cm
Trendelenburg / reverse Trendelenburg	\pm 35° (\pm 2°)
Tilt	\pm 25° (\pm 2°)
Longitudinal slide	40 cm \pm 0.5 cm head side: 20 cm, foot side: 20 cm
Adjustment range joint back section	\pm 90° (\pm 2°)
Adjustment range joint leg section	+ 90° / - 105°
Zero positioning	Simultaneous self-leveling of tabletop sections
Maximum overall load	454 kg*

*Weight capacity may fluctuate based on table configuration. Refer to the IFU for additional information.

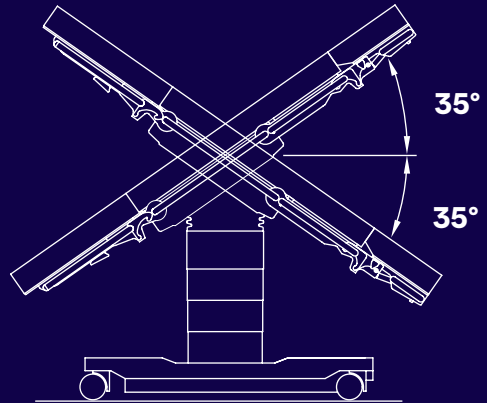
HEIGHT ADJUSTMENT



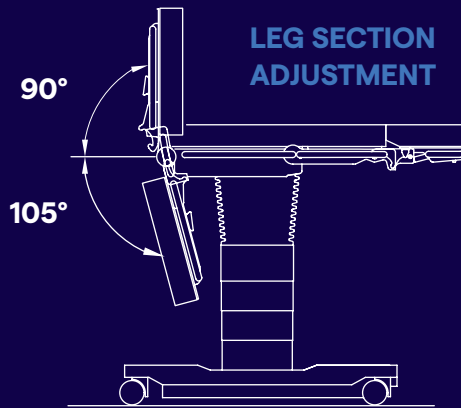
TILTING



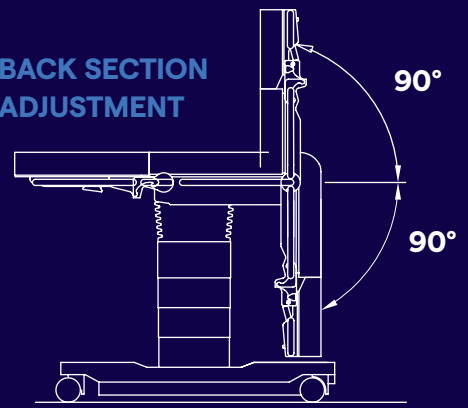
**TRENDELENBURG/
REVERSE TRENDELENBURG**



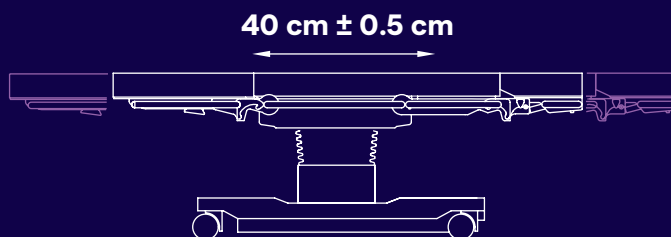
**LEG SECTION
ADJUSTMENT**



**BACK SECTION
ADJUSTMENT**



LONGITUDINAL SLIDE



EXPERT MAINTENANCE. READY WHEN YOU NEED US.

With an easy access column and base and an intuitive error diagnosis display system built in, the PST 500 allows you to pinpoint potential issues and maximise equipment uptime.

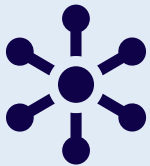
When you need extra help, you can count on Hillrom's SmartCare™ Services team for expert support.

The SmartCare Protection service plan can reduce interruptions in care, allowing you to focus on what's really important - your patients.

- Includes repair, parts and preventive maintenance, depending on the level of cover selected.
- Set up and delivery assistance for new equipment upon request.
- OEM replacement parts with fee-for-service.



The Foundation You — and Your Patients — Deserve



**VARIOUS
SURGICAL
APPLICATIONS**

across a range of positions

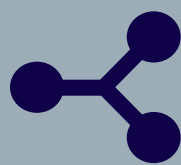


**INNOVATIVE
LIGHT MESSAGING
SYSTEM**



**COLLISION
PROTECTION**

Standard siderails to accommodate



**3rd Party
Accessories*****

*Weight capacity may fluctuate based on table configuration. Refer to the IFU for additional information.

**360° imaging capability with specific carbon components.

***Required clamps can be provided for specific accessories.



Hillrom™

ABOUT HILLROM

Hillrom is a global medical technology leader whose 10,000 employees have a single purpose: enhancing outcomes for patients and their caregivers by advancing connected care. Around the world, our innovations touch over 7 million patients each day. They help enable early diagnosis and treatment, optimize surgical efficiency and accelerate patient recovery while simplifying clinical communication and shifting care closer to home. We make these outcomes possible through connected smart beds, patient lifts, patient assessment and monitoring technologies, caregiver collaboration tools, respiratory care devices, advanced operating room equipment and more, delivering actionable, real-time insights at the point of care. Learn more at hillrom.com.

**The best surgical care begins with a strong foundation of safety and support.
To learn more call Hillrom Customer Care on 1800 445 576 or visit hillrom.com.au**

Always read the labels and instructions for use. Contact your Hillrom Representative for the latest version.

AUTHORISED AUSTRALIAN SPONSOR Hill-Rom Pty Ltd. Suite 4.01, 2 Lyonpark Road, Macquarie Park 2113 NSW Australia

hillrom.com.au

Hill-Rom reserves the right to make changes without notice in design, specifications and models. The only warranty Hill-Rom makes is the express written warranty extended on the sale of its products.

© 2022 Hill-Rom Services, Inc. ALL RIGHTS RESERVED. APR186001_AU-r2 March 2022